

TM171ARS232

Modicon M171 Performance Plug-in RS232 with relay

Product availability: Non-Stock - Not normally stocked in distribution facility

Price*: 67.25 USD



Main

Range of Product	Modicon M171
Product or Component Type	Communication module
Communication Port Protocol	RS232 Modbus RTU and ASCII

Complementary

Integrated connection type	RS232 wire crimp - twisted pair
Adjustment	Pitch 5 mm
Electrical connection	3 removable screw terminal block
Physical interface	90° insertion - 0.00 in ² (2.5 mm ²) cable DB9 connector
Supply	Via base board EVD/EVC
Product Compatibility	Logic controller M171 performance Logic controller M172 performance
Net Weight	0.17 Lb(US) (0.077 kg)

Environment

Product Certifications	CSA EAC CE CURus
Marking	CE
IP Degree of Protection	IP20
Ambient Air Temperature for Operation	14...131 °F (-10...55 °C)
Ambient Air Temperature for Storage	-4...185 °F (-20...85 °C)
Relative Humidity	10...90 % without condensation

Ordering and shipping details

Category	22537 - M171 / M172 HVAC CONTROLLERS
Discount Schedule	PC12
GTIN	03606480752551
Nbr. of units in pkg.	1
Package weight(Lbs)	6.38 Oz (181 g)
Returnability	No
Country of origin	IT

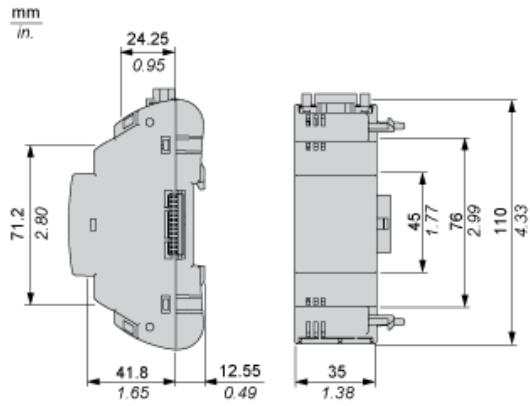
Packing Units

Unit Type of Package 1	PCE
Package 1 Height	5.12 In (13 cm)
Package 1 width	3.58 In (9.1 cm)
Package 1 Length	7.28 In (18.5 cm)

Offer Sustainability

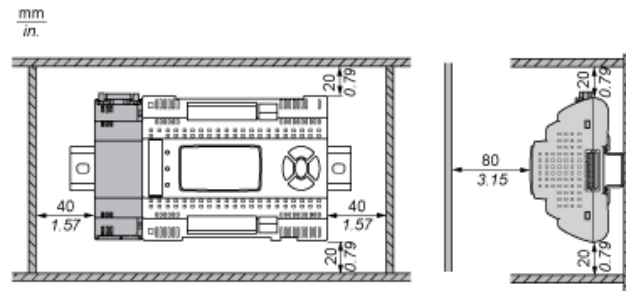
California proposition 65	WARNING: This product can expose you to chemicals including: Lead and lead compounds, which is known to the State of California to cause cancer and birth defects or other reproductive harm. For more information go to www.P65Warnings.ca.gov
REACH Regulation	REACH Declaration
REACH free of SVHC	Yes
EU RoHS Directive	Pro-active compliance (Product out of EU RoHS legal scope) EU RoHS Declaration
Mercury free	Yes
RoHS exemption information	Yes
China RoHS Regulation	China RoHS Declaration
WEEE	The product must be disposed on European Union markets following specific waste collection and never end up in rubbish bins.

Dimensions

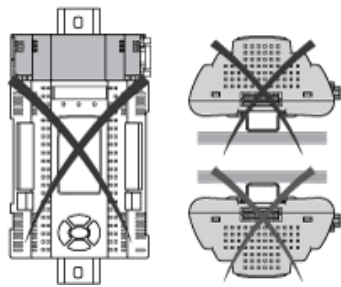


Mounting and Clearance

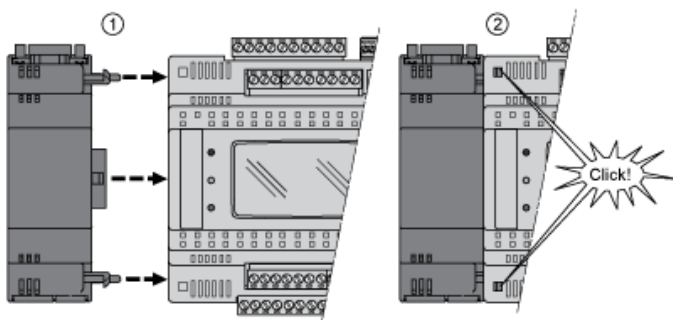
Clearance



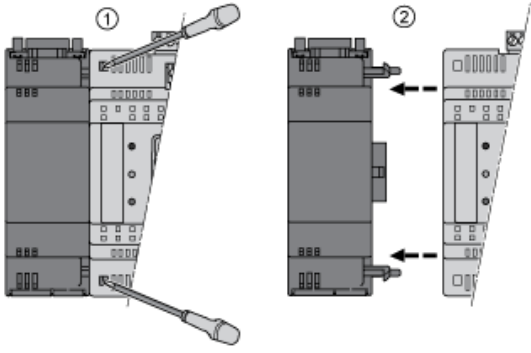
Misplacement



Mounting on Controller



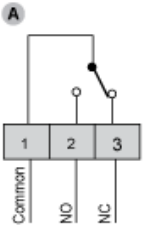
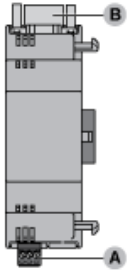
Dismounting



Connections and Schema

RS 232 Communication Module

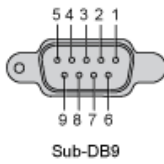
TM171ARS232



NC: Normally Closed.
NO: Normally Open.

B RS 232

N°	RS232
1	GND
2	DTR
3	TXD
4	RXD
5	DCD
6	RI
7	CTS
8	RTS
9	DSR



Product Life Status : **Commercialised**